

Dedicated desk-top cutting tool for silicone tube Precision tube cutting tool

Desk-top and portable tool improves the product quality, workability and safety



▲ Showing how to cut a silicone catheter

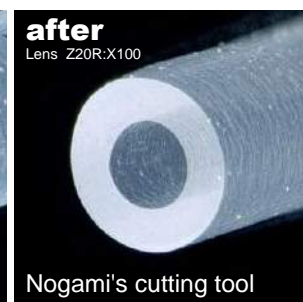
Features

- Cut a tube without distortion, deformation, burrs or contamination
- Cut the tube to the accurate length by the use of stopper and scale
- Safely use the tool since the cutter blade is retracted into the tube holder

Comparison of cut surface of silicone tube

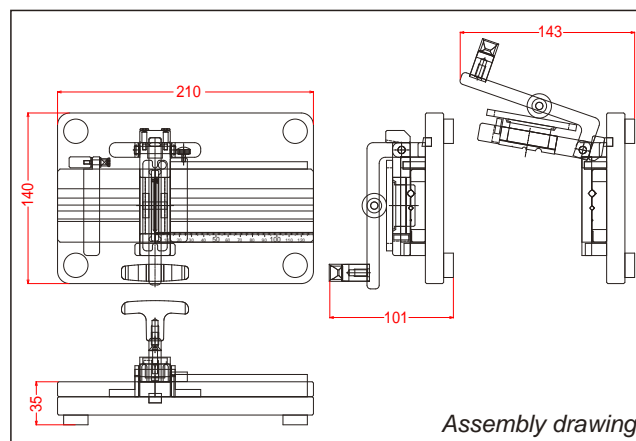
Unique tube holder can fasten tube when cutting and it prevents a crush of tube.

Due to this holder, no distortion, no deformation, no burrs or no contamination is created.



Introduction of the exhibit tool

- This tool can be used to cut a tube of 3 sizes: 5 mm, 3 mm and 0.5 mm in diameter
- Cutting edge is easily replaceable
- Custom-designed cutting tool is available; e.g. tube diameter
- Tool for only one tube cutting is also available



Please consult us if you have any problems about cutting

 NOGAMI

NOGAMIGIKEN CO., LTD.

1136-3 Izumi, Hitachiomiya City, Ibaraki-Pref., JAPAN

E-mail sng@nogami-gk.co.jp Web <http://www.nogami-gk.co.jp>